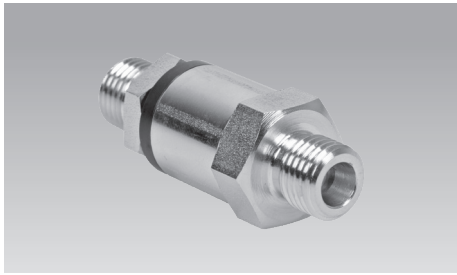




Swivel Couplings, Supported by Ball Bearings

Straight, elbow and double elbow swivel couplings made of steel and stainless steel



Versions	Page	
	steel	stainless steel
Straight swivel coupling		
Pipe connection – threaded pin M metric	2	13
Pipe connection – threaded pin G pipe thread	3	14
Pipe connection on both sides	4	15
Pipe connection on both sides - bulkhead	5	16
Tapped hole on both sides G pipe thread	6	17
Tapped hole G pipe thread - threaded pin G pipe thread	6	17



Versions	Page	
	steel	stainless steel
Elbow swivel coupling		
Pipe connection – threaded pin M metric	7	18
Pipe connection – threaded pin G pipe thread	8	19
Pipe connection on both sides	9	20
Pipe connection on both sides - bulkhead	10	21
Tapped hole on both sides G pipe thread	11	22
Tapped hole G pipe thread - threaded pin G pipe thread	11	22



Versions	Page	
	steel	stainless steel
Double elbow swivel coupling		
Pipe connection on both sides	12	–
Pipe connection – threaded pin G pipe thread	12	–

Application

Connection of pressurised hoses to compensate rotary and swivel movements between hose and machine parts.

Field of application

- Mineral oils and greases, aliphatic, aromatic and chlorinated hydrocarbons, petrol, super petrol, diesel fuels, fire-resistant hydraulic fluids based on phosphate esters, silicone oils and greases.
 - Steel versions are not suitable for water.
 - Stainless steel versions are suitable for acids and alkalis up to certain concentrations, please contact us.
- Operating temperature:
 –20 °C to +120 °C with oil
 –20 °C to +80 °C with water

Advantages

- Maintenance free
- Low starting torques
- Materials: steel and stainless steel
- Seal made of FKM
- Underwater use possible with stainless steel versions

Important notes

In addition to the operating conditions (pressure and speed of rotation), the service life depends primarily on the stress-free installation of the swivel coupling. Therefore the direct connection of pipes is to be avoided. It is recommended to connect hoses with a length of approx 5 x hose outer diameter between the hose sockets. Lateral tension forces must be avoided at all costs. Storage: swivel couplings can be stored for 6 months under storage conditions as per DIN 7716.

Materials

Steel versions

Galvanised steel (Cr3), all components subject to wear are hardened
 Seal: FKM

Stainless steel versions

All medium wetted parts made of acid-resistant stainless steel 1.4404. Other components made of hardened carbon steel and nickel-plated brass.
 Seal: FKM

Application

- Construction machines
- Agricultural machines
- Railway engineering
- Offshore industry
- Robotics
- Special vehicles and others

Admissible speed of rotation [r.p.m.] and starting torques [Nm]

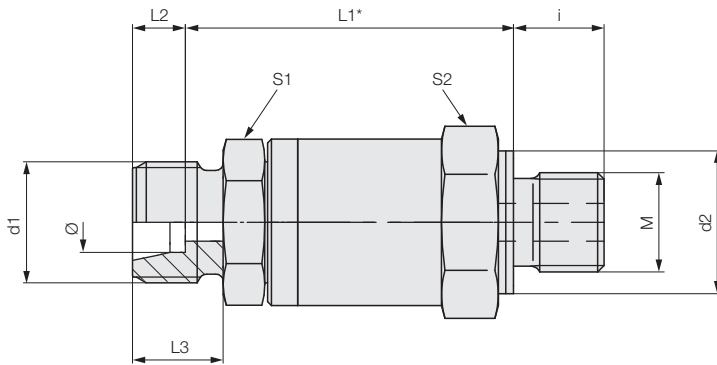
Size	Material	25 bar		250 bar		400 bar		500 bar	
1	steel	8 r.p.m.	0.8 Nm	12 r.p.m.	1.1 Nm	6 r.p.m.	1.4 Nm	3 r.p.m.	1.8 Nm
	stainless steel	8 r.p.m.	1.0 Nm	12 r.p.m.	1.4 Nm	6 r.p.m.	2.1 Nm		
2	steel	10 r.p.m.	1.6 Nm	6 r.p.m.	2.4 Nm	3 r.p.m.	2.8 Nm		
	stainless steel	10 r.p.m.	1.6 Nm	6 r.p.m.	2.5 Nm	3 r.p.m.	3.2 Nm		
3	steel	10 r.p.m.	2.2 Nm	6 r.p.m.	3.0 Nm	3 r.p.m.	3.7 Nm		
	stainless steel	25 r.p.m.	2.5 Nm	20 r.p.m.	5.2 Nm	10 r.p.m.	7.8 Nm		
4	steel	12 r.p.m.	3.8 Nm	8 r.p.m.	8.4 Nm	2.5 r.p.m.	9.2 Nm		
	stainless steel	15 r.p.m.	8.0 Nm	12 r.p.m.	17.5 Nm	6 r.p.m.	29.0 Nm		

The chart refers to the admissible constant speed of rotation with a service life of approx 2,500 hours.
 The chart is based on a service life of approx. 2,500 hours.

Straight swivel coupling made of steel

Pipe connection – threaded pin M metric

Pipe connection as per DIN 2353/ISO 8434-1
Threaded pin as per DIN 3852 T11/ISO 9974-2 (metric)



* Tolerance ± 1 mm

Light series

PN	Pipe \varnothing	M	DN	Size	L1	L2	L3	i	d1	d2	S1	S2	Part no.
315 bar	6L	M10x1.0 ED	4	1	40.5	7	10	8	M12x1.5	14	19	22	92GL11RM01
	6L	M12x1.5 ED	4	1	40.5	7	10	12	M12x1.5	17	19	22	92GL11RM02
	8L	M12x1.5 ED	4	1	40.5	7	10	12	M14x1.5	17	19	22	92GL11RM03
	8L	M14x1.5 ED	5	1	40	7	10	12	M14x1.5	19	19	22	92GL11RM04
	10 L	M14x1.5 ED	5	1	40	7	11	12	M16x1.5	19	19	22	92GL11RM05
	10 L	M16x1.5 ED	7	2	50	7	11	12	M16x1.5	22	24	30	92GL12RM01
	12L	M16x1.5 ED	7	2	50	7	11	12	M18x1.5	22	24	30	92GL12RM02
	12L	M18x1.5 ED	8	2	50	7	11	14	M18x1.5	24	24	30	92GL12RM03
	15L	M18x1.5 ED	8	2	51	7	12	14	M22x1.5	24	24	30	92GL12RM04
160 bar	18L	M22x1.5 ED	10	2	50.5	7.5	12	14	M26x1.5	27	30	30	92GL12RM05
	22L	M26x1.5 ED	16	3	64.5	7.5	14	16	M30x2.0	32	36	41	92GL13RM01
	28L	M33x2.0 ED	16	3	64	7.5	14	18	M36x2.0	40	36	41	92GL13RM02
	35L	M42x2.0 ED	25	4	74	10.5	16	20	M45x2.0	50	55	60	92GL14RM01
	42L	M48x2.0 ED	27	4	74.5	11	16	22	M52x2.0	55	55	60	92GL14RM02

Heavy series

PN	Pipe \varnothing	M	DN	Size	L1	L2	L3	i	d1	d2	S1	S2	Part no.
500 bar	6S	M12x1.5 ED	4	1	42.5	7	12	12	M14x1.5	17	19	22	92GS11RM01
	8S	M14x1.5 ED	5	1	42	7	12	12	M16x1.5	19	19	22	92GS11RM02
	10S	M16x1.5 ED	6	1	42	7.5	12	12	M18x1.5	22	19	22	92GS11RM03
400 bar	12S	M18x1.5 ED	8	2	52.5	7.5	12	12	M20x1.5	22	24	30	92GS12RM01
	14S	M20x1.5 ED	10	2	52	8	14	14	M22x1.5	26	24	30	92GS12RM02
	16S	M22x1.5 ED	10	2	51.5	8.5	14	14	M24x1.5	27	24	30	92GS12RM03
	20S	M27x2.0 ED	16	3	65.5	10.5	16	16	M30x2.0	32	36	41	92GS13RM01
	25S	M33x2.0 ED	16	3	66	12	18	18	M36x2.0	40	36	41	92GS13RM02
	30S	M42x2.0 ED	25	4	75.5	13.5	20	20	M42x2.0	50	50	60	92GS14RM01
38S	M48x2.0 ED	27	4	76	16	22	22	M52x2.0	55	55	60	92GS14RM02	

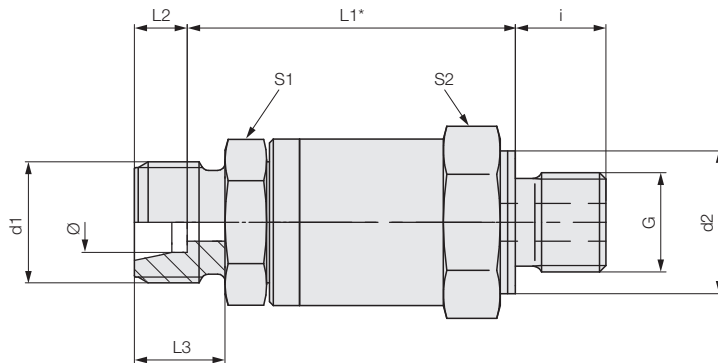
All dimensions in [mm]

Straight swivel coupling made of steel

Pipe connection – threaded pin G pipe thread

Pipe connection as per DIN 2353/ISO 8434-1

Threaded pin as per DIN 3852 T11/ISO 1179-2 (pipe thread)



* Tolerance ± 1 mm

Light series

PN	Pipe Ø	G	DN	Size	L1	L2	L3	i	d1	d2	S1	S2	Part no.
315	6L	G 1/8 ED	4	1	40.5	7	10	8	M12x1.5	14	19	22	92GL11RG01
	6L	G 1/4 ED	4	1	40	7	10	12	M12x1.5	19	19	22	92GL11RG02
	8L	G 1/4 ED	6	1	40	7	10	12	M14x1.5	19	19	22	92GL11RG03
	10 L	G 1/4 ED	6	1	41	7	11	12	M16x1.5	19	19	22	92GL11RG04
	10 L	G 3/8 ED	8	2	50	7	11	12	M16x1.5	22	24	30	92GL12RG01
	12L	G 3/8 ED	8	2	50	7	11	12	M18x1.5	22	24	30	92GL12RG02
	12L	G 1/2 ED	10	2	50	7	11	14	M18x1.5	27	24	30	92GL12RG03
15L	G 1/2 ED	10	2	51	7	12	14	M22x1.5	27	24	30	92GL12RG04	
18L	G 1/2 ED	10	2	51.5	7.5	12	14	M26x1.5	27	30	30	92GL12RG05	
160	22L	G 3/4 ED	16	3	66	7.5	14	16	M30x2.0	32	36	41	92GL13RG01
	28L	G 1 ED	16	3	65.5	7.5	14	18	M36x2.0	40	36	41	92GL13RG02
	35L	G 1 1/4 ED	25	4	74	10.5	16	20	M45x2.0	50	55	60	92GL14RG01
	42L	G 1 1/2 ED	27	4	74.5	11	16	22	M52x2.0	55	55	60	92GL14RG02

Heavy series

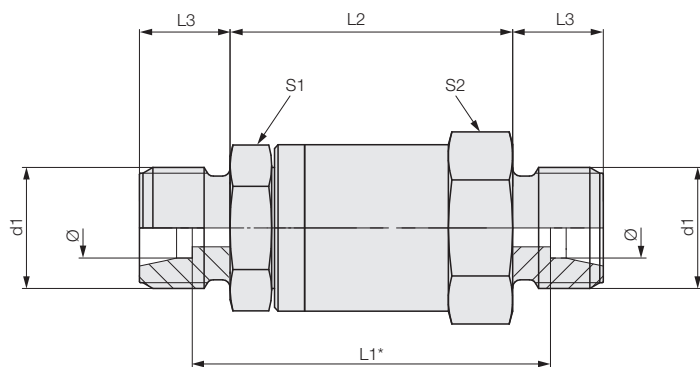
PN	Pipe Ø	G	DN	Size	L1	L2	L3	i	d1	d2	S1	S2	Part no.
500	6S	G 1/4 ED	4	1	42	7	12	12	M14x1.5	19	19	22	92GS11RG01
	8S	G 1/4 ED	5	1	42	7	12	12	M16x1.5	19	19	22	92GS11RG02
	10S	G 3/8 ED	6	1	42	7.5	12	12	M18x1.5	22	19	22	92GS11RG03
400	12S	G 3/8 ED	8	2	52.5	7.5	12	12	M20x1.5	22	24	30	92GS12RG01
	14S	G 1/2 ED	10	2	52	8	14	14	M22x1.5	27	24	30	92GS12RG02
	16S	G 1/2 ED	10	2	51.5	8.5	14	14	M24x1.5	27	24	30	92GS12RG03
	20S	G 3/4 ED	16	3	65.5	10.5	16	16	M30x2.0	32	36	41	92GS13RG01
	25S	G 1 ED	16	3	66	12	18	18	M36x2.0	40	36	41	92GS13RG02
	30S	G 1 1/4 ED	25	4	75.5	13.5	20	20	M42x2.0	50	50	60	92GS14RG01
38S	G 1 1/2 ED	27	4	76	16	22	22	M52x2.0	55	55	60	92GS14RG02	

All dimensions in [mm]

Straight swivel coupling made of steel

Pipe connection on both sides

Pipe connection on both sides as per DIN 2353/ISO 8434-1



* Tolerance ± 1 mm

Light series

PN	Pipe Ø	DN	Size	L1	L2	L3	d1	S1	S2	Part no.
315 bar	6L	4	1	43	37	10	M12x1.5	19	22	92GL11RR01
	8L	6	1	43	37	10	M14x1.5	19	22	92GL11RR02
	10L	8	2	54	46	11	M16x1.5	24	30	92GL12RR01
	12L	10	2	54	46	11	M18x1.5	24	30	92GL12RR02
	15L	10	2	56	46	12	M22x1.5	24	30	92GL12RR03
160 bar	18L	15	3	65.5	56.5	12	M26x1.5	36	41	92GL13RR01
	22L	16	3	69.5	56.5	14	M30x2.0	36	41	92GL13RR02
	28L	24	4	81.5	68.5	14	M36x2.0	50	60	92GL14RR01
	35L	27	4	79.5	68.5	16	M45x2.0	55	60	92GL14RR02
	42L	27	4	78.5	68.5	16	M52x2.0	55	60	92GL14RR03

Heavy series

PN	Pipe Ø	DN	Size	L1	L2	L3	d1	S1	S2	Part no.
500 bar	6S	4	1	47	37	12	M14x1.5	19	22	92GS11RR01
	8S	5	1	47	37	12	M16x1.5	19	22	92GS11RR02
	10S	6	1	55	37	12	M18x1.5	19	22	92GS11RR03
400 bar	12S	8	2	57	48	12	M20x1.5	24	30	92GS12RR01
	14S	10	2	57	45	14	M22x1.5	24	30	92GS12RR02
	16S	10	2	57	46	14	M24x1.5	24	30	92GS12RR03
	20S	16	3	71	60	16	M30x2.0	36	41	92GS13RR01
	25S	16	3	72	62	18	M36x2.0	36	41	92GS13RR02
	30S	25	4	82	69	20	M42x2.0	50	60	92GS14RR01
	38S	27	4	82	70	22	M52x2.0	55	60	92GS14RR02

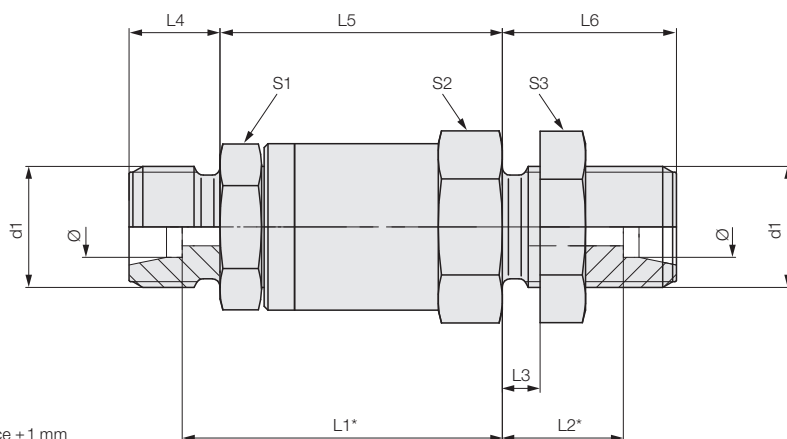
All dimensions in [mm]

Straight swivel coupling made of steel

Pipe connection on both sides - bulkhead

Pipe connection on both sides as per DIN 2353/ISO 8434-1

The bulkhead lengths are not identical with ISO 8434 !



* Tolerance ± 1 mm

Light series

PN	Pipe Ø	DN	Size	L1	L2	L3	L4	L5	L6	d1	S1	S2	S3	Part no.
315 bar	6L	4	1	40	16	5	10	37	23	M12x1.5	19	22	17	92GL11RS01
	8L	6	1	40	16	5	10	37	23	M14x1.5	19	22	19	92GL11RS02
	10 L	8	2	50	16	5	11	46	23	M16x1.5	24	30	22	92GL12RS01
	12L	10	2	50	16	5	11	46	23	M18x1.5	24	30	24	92GL12RS02
	15L	10	2	51	19	5	12	46	26	M22x1.5	24	30	30	92GL12RS03
160 bar	18L	15	3	61	28	15	12	56.5	35.5	M26x1.5	36	41	36	92GL13RS01
	22L	16	3	63	30.5	15	14	56.5	38	M30x2.0	36	41	41	92GL13RS02
	28L	24	4	75	31	15	14	68.5	38.5	M36x2.0	50	60	46	92GL14RS01
	35L	27	4	74	31.5	15	16	68.5	42	M45x2.0	55	60	55	92GL14RS02
	42L	27	4	73.5	33	15	16	68.5	44	M52x2.0	55	60	65	92GL14RS03

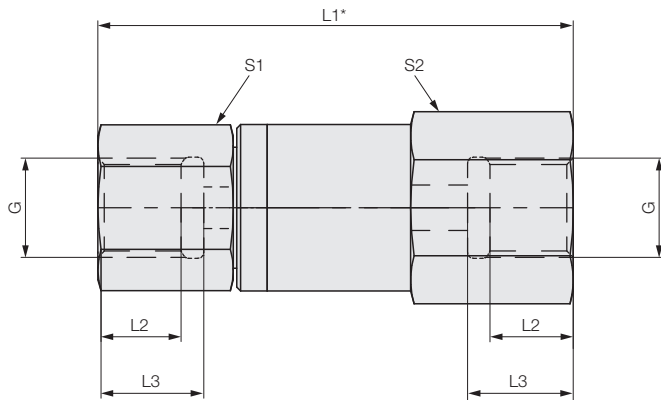
Heavy series

PN	Pipe Ø	DN	Size	L1	L2	L3	L4	L5	L6	d1	S1	S2	S3	Part no.
500 bar	6S	4	1	42	16	5	12	37	23	M14x1.5	19	22	19	92GS11RS01
	8S	5	1	42	16	5	12	37	23	M16x1.5	19	22	22	92GS11RS02
	10S	6	1	50.5	15.5	5	12	46	23	M18x1.5	24	30	24	92GS11RS03
400 bar	12S	8	2	52.5	15.5	5	12	48	23	M20x1.5	24	30	27	92GS12RS01
	14S	10	2	52	18	5	14	46	26	M22x1.5	24	30	30	92GS12RS02
	16S	10	2	51.5	17.5	5	14	46	26	M24x1.5	24	30	32	92GS12RS03
	20S	16	3	65.5	28.5	15	16	60	39	M30x2.0	36	41	41	92GS13RS01
	25S	16	3	66	30	15	18	60	42	M36x2.0	36	41	46	92GS13RS02
	30S	25	4	75.5	30.5	15	20	69	44	M42x2.0	50	60	50	92GS14RS01
38S	27	4	76	31	15	22	70	47	M52x2.0	55	60	65	92GS14RS02	

All dimensions in [mm]

Straight swivel coupling made of steel
Tapped hole on both sides G pipe thread
Tapped hole G pipe thread - threaded pin G pipe thread

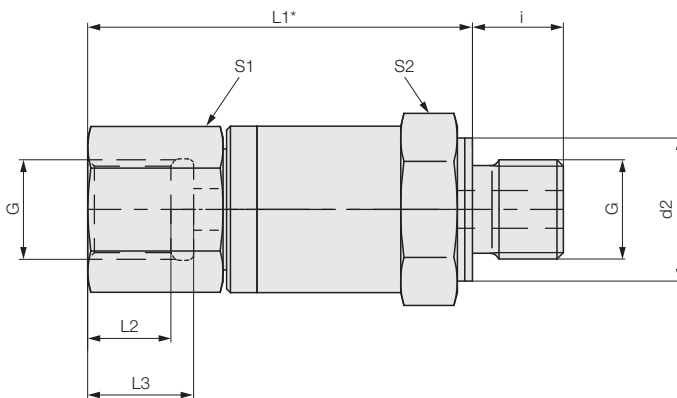
Tapped hole as per DIN 3852 T2/ISO 1179-1 (pipe thread)



* Tolerance ± 1 mm

PB	G	DN	Size	L1	L2	S1	S2	Part no.
250 bar	G 1/8	4	1	56.5	8	19	22	92GX11TT01
500 bar	G 1/4	6	1	62.5	12	19	22	92GX11TT02
400 bar	G 3/8	8	2	68.5	11	24	30	92GX12TT01
	G 1/2	10	2	75.0	13	30	30	92GX12TT02
	G 3/4	16	3	85.5	14	36	41	92GX13TT01
	G 1	16	3	90.5	15	41	41	92GX13TT02
	G 1 1/4	27	4	105.5	16	55	60	92GX14TT01
	G 1 1/2	27	4	118.5	20	60	60	92GX14TT02

Tapped hole as per DIN 3852 T2/ISO 1179-1 (pipe thread)
 Threaded pin as per DIN 3852 T11/ISO 1179-2 (pipe thread)



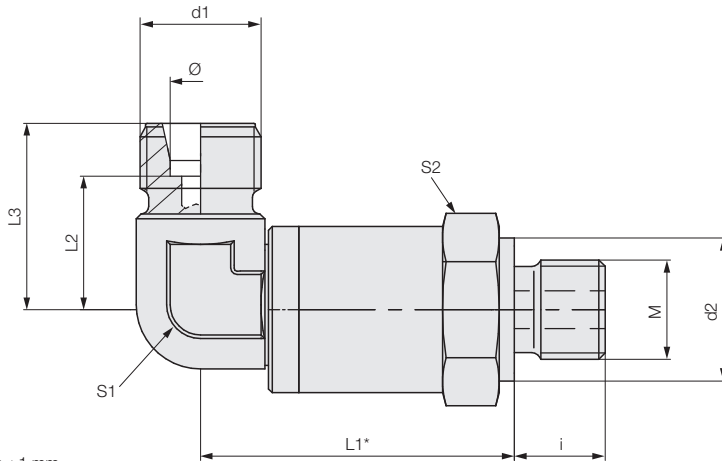
* Tolerance ± 1 mm

PB	G	DN	Size	L1	L2	L3	i	d2	S1	S2	Part no.
250 bar	G 1/8	4	1	47.5	8	11	8	14	19	22	92GX11TG01
500 bar	G 1/4	6	1	49.5	12	15	12	19	19	22	92GX11TG02
400 bar	G 3/8	8	2	56	11	14	12	24	24	30	92GX12TG01
	G 1/2	10	2	59.5	13	17	14	27	30	30	92GX12TG02
	G 3/4	16	3	70.5	14	18	16	32	36	41	92GX13TG01
	G 1	16	3	71.5	15	20	18	40	41	41	92GX13TG02
	G 1 1/4	25	4	82.5	16	23	20	50	55	60	92GX14TG01
	G 1 1/2	27	4	91	20	27.5	22	55	60	60	92GX14TG02

All dimensions in [mm]

Elbow swivel coupling made of steel Pipe connection – threaded pink M metric

Pipe connection as per DIN 2353/ISO 8434-1
Threaded pin as per DIN 3852 T11/ISO 9974-2 (metric)



* Tolerance ± 1 mm

Light series

PN	Pipe Ø	M	DN	Size	L1	L2	L3	i	d1	d2	S1	S2	Part no.
315 bar	6L	M10x1.0 ED	4	1	41.0	17.0	24.0	8	M12x1.5	14	17	22	92WL11RM01
	6L	M12x1.5 ED	4	1	42.0	17.0	24.0	12	M12x1.5	17	17	22	92WL11RM02
	8L	M12x1.5 ED	4	1	42.0	17.0	24.0	12	M14x1.5	17	17	22	92WL11RM03
	8L	M14x1.5 ED	5	1	41.5	17.0	24.0	12	M14x1.5	19	17	22	92WL11RM04
	10 L	M14x1.5 ED	5	1	41.5	17.0	24.0	12	M16x1.5	19	17	22	92WL11RM05
	10 L	M16x1.5 ED	7	2	51.0	20.5	31.5	12	M16x1.5	22	24	30	92WL12RM01
	12L	M16x1.5 ED	7	2	51.0	20.5	31.5	12	M18x1.5	22	24	30	92WL12RM02
	12L	M18x1.5 ED	8	2	51.0	20.5	31.5	14	M18x1.5	24	24	30	92WL12RM03
	15L	M18x1.5 ED	8	2	51.0	19.5	31.5	14	M22x1.5	24	24	30	92WL12RM04
	18L	M22x1.5 ED	10	2	50.5	20.0	32.0	14	M26x1.5	27	24	30	92WL12RM05
160 bar	22L	M26x1.5 ED	16	3	65.0	30.0	37.5	16	M30x2.0	32	36	41	92WL13RM01
	28L	M33x2.0 ED	16	3	64.5	45.5	53.0	18	M36x2.0	40	36	41	92WL13RM02
	35L	M42x2.0 ED	25	4	80.0	40.5	51.0	20	M45x2.0	50	55	60	92WL14RM01
	42L	M48x2.0 ED	27	4	80.0	40.0	51.0	22	M52x2.0	55	55	60	92WL14RM02

Heavy series

PN	Pipe Ø	M	DN	Size	L1	L2	L3	i	d1	d2	S1	S2	Part no.
500 bar	6S	M12x1.5 ED	4	1	42.0	16.0	23.0	12	M14x1.5	17	17	22	92WS11RM01
	8S	M14x1.5 ED	5	1	41.5	17.0	24.0	12	M16x1.5	19	17	22	92WS11RM02
	10S	M16x1.5 ED	6	1	41.0	16.5	24.0	12	M18x1.5	22	17	22	92WS11RM03
400 bar	12S	M18x1.5 ED	8	2	51.0	17.0	29.0	12	M20x1.5	22	24	30	92WS12RM01
	14S	M20x1.5 ED	10	2	50.5	18.0	32.0	14	M22x1.5	26	24	30	92WS12RM02
	16S	M22x1.5 ED	10	2	50.5	19.0	33.0	14	M24x1.5	27	24	30	92WS12RM03
	20S	M27x2.0 ED	16	3	66.5	26.5	37.0	16	M30x2.0	32	36	41	92WS13RM01
	25S	M33x2.0 ED	16	3	64.5	30.0	42.0	18	M36x2.0	40	36	41	92WS13RM02
	30S	M42x2.0 ED	25	4	80.0	39.0	53.0	20	M42x2.0	50	55	60	92WS14RM01
	38S	M48x2.0 ED	27	4	80.0	41.0	57.0	22	M52x2.0	55	55	60	92WS14RM02

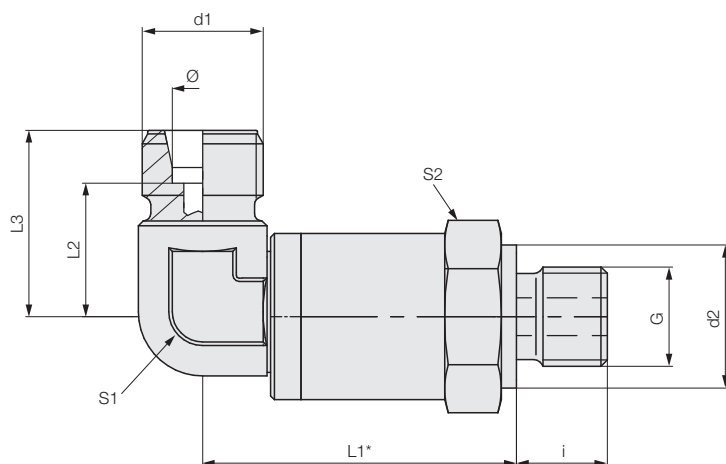
All dimensions in [mm]

Elbow swivel coupling made of steel

Pipe connection – threaded pin G pipe thread

Pipe connection as per DIN 2353/ISO 8434-1

Threaded pin as per DIN 3852 T11/ISO 1179-2 (pipe thread)



* Tolerance ± 1 mm

Light series

PN	Pipe Ø	G	DN	Size	L1	L2	L3	i	d1	d2	S1	S2	Part no.
315 bar	6L	G 1/8 ED	4	1	41.0	17.0	24.0	8	M12x1.5	14	17	22	92WL11RG01
	6L	G 1/4 ED	4	1	41.5	17.0	24.0	12	M12x1.5	19	17	22	92WL11RG02
	8L	G 1/4 ED	6	1	41.5	17.0	24.0	12	M14x1.5	19	17	22	92WL11RG03
	10 L	G 1/4 ED	6	1	41.5	17.0	24.0	12	M16x1.5	19	17	22	92WL11RG04
	10 L	G 3/8 ED	8	2	51.0	20.5	31.5	12	M16x1.5	22	24	30	92WL12RG01
	12L	G 3/8 ED	8	2	51.0	20.5	31.5	12	M18x1.5	22	24	30	92WL12RG02
	12L	G 1/2 ED	10	2	50.5	20.5	31.5	14	M18x1.5	27	24	30	92WL12RG03
	15L	G 1/2 ED	10	2	50.5	19.5	31.5	14	M22x1.5	27	24	30	92WL12RG04
160 bar	18L	G 1/2 ED	10	2	50.5	20.0	32.0	14	M26x1.5	27	24	30	92WL12RG05
	22L	G 3/4 ED	16	3	66.5	30.0	37.5	16	M30x2.0	32	36	41	92WL13RG01
	28L	G 1 ED	16	3	64.5	45.5	53.0	18	M36x2.0	40	36	41	92WL13RG02
	35L	G 1 1/4 ED	25	4	80.0	40.5	51.0	20	M45x2.0	50	55	60	92WL14RG01
	42L	G 1 1/2 ED	27	4	81.0	40.0	51.0	22	M52x2.0	55	55	60	92WL14RG02

Heavy series

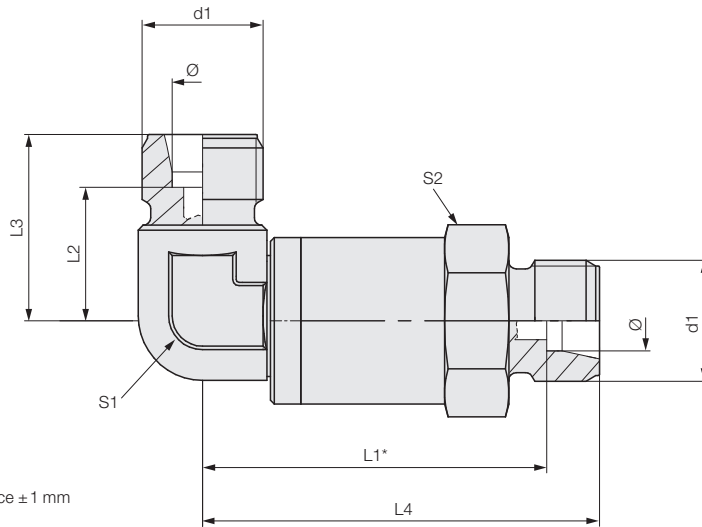
PN	Pipe Ø	G	DN	Size	L1	L2	L3	i	d1	d2	S1	S2	Part no.
500 bar	6S	G 1/4 ED	4	1	41.5	16.0	23.0	12	M14x1.5	19	17	22	92WS11RG01
	8S	G 1/4 ED	5	1	41.5	17.0	24.0	12	M16x1.5	19	17	22	92WS11RG02
	10S	G 3/8 ED	6	1	41.0	16.5	24.0	12	M18x1.5	22	17	22	92WS11RG03
400 bar	12S	G 3/8 ED	8	2	51.0	17.0	29.0	12	M20x1.5	22	24	30	92WS12RG01
	14S	G 1/2 ED	10	2	50.5	18.0	32.0	14	M22x1.5	27	24	30	92WS12RG02
	16S	G 1/2 ED	10	2	50.5	19.0	33.0	14	M24x1.5	27	24	30	92WS12RG03
	20S	G 3/4 ED	16	3	66.5	26.5	37.0	16	M30x2.0	32	36	41	92WS13RG01
	25S	G 1 ED	16	3	64.5	30.0	42.0	18	M36x2.0	40	36	41	92WS13RG02
	30S	G 1 1/4 ED	25	4	80.0	39.5	53.0	20	M42x2.0	50	55	60	92WS14RG01
38S	G 1 1/2 ED	27	4	81.0	41.0	57.0	22	M52x2.0	55	55	60	92WS14RG02	

All dimensions in [mm]

Elbow swivel coupling made of steel

Pipe connection on both sides

Pipe connection on both sides as per DIN 2353/ISO 8434-1



Light series

PN	Pipe Ø	DN	Size	L1	L2	L3	L4	d1	S1	S2	Part no.
315 bar	6L	4	1	43.5	17.0	24	50.5	M12x1.5	17	22	92WL11RR01
	8L	6	1	43.5	17.0	24	50.5	M14x1.5	17	22	92WL11RR02
	10L	8	2	54.5	20.5	31.5	61.5	M16x1.5	24	30	92WL12RR01
	12L	10	2	54.5	20.5	31.5	61.5	M18x1.5	24	30	92WL12RR02
	15L	10	2	55.5	19.5	31.5	62.5	M22x1.5	24	30	92WL12RR03
	18L	16	3	68.0	27.5	35	75.5	M26x1.5	36	41	92WL13RR01
160 bar	22L	16	3	70.0	30.0	37.5	77.5	M30x2.0	36	41	92WL13RR02
	28L	24	4	86.5	45.5	53	94.0	M36x2.0	55	60	92WL14RR01
	35L	27	4	85.5	41.5	51	96.0	M45x2.0	55	60	92WL14RR02
	42L	27	4	85.0	41.0	51	96.0	M52x2.0	55	60	92WL14RR03

Heavy series

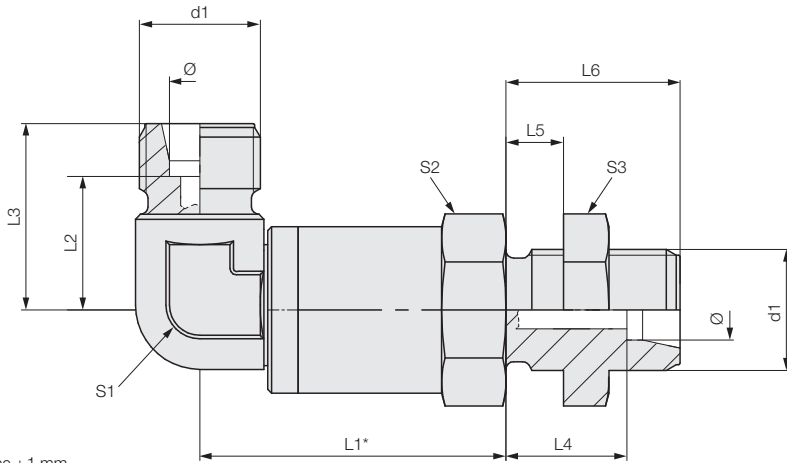
PN	Pipe Ø	DN	Size	L1	L2	L3	L4	d1	S1	S2	Part no.
500 bar	6S	4	1	45.5	16.0	23	52.5	M14x1.5	17	22	92WS11RR01
	8S	5	1	45.5	17.0	24	52.5	M16x1.5	17	22	92WS11RR02
	10S	6	1	45.0	16.5	24	52.5	M18x1.5	17	30	92WS11RR03
400 bar	12S	8	2	55.0	17.0	29	62.5	M20x1.5	24	30	92WS12RR01
	14S	10	2	55.5	18.0	32	63.5	M22x1.5	24	30	92WS12RR02
	16S	10	2	56.0	19.0	33	64.5	M24x1.5	24	30	92WS12RR03
	20S	16	3	72.0	26.5	37	82.5	M30x2.0	36	41	92WS13RR01
	25S	16	3	70.5	30.0	42	82.5	M36x2.0	36	41	92WS13RR02
	30S	25	4	86.5	39.5	53	100.0	M42x2.0	55	60	92WS14RR01
38S	27	4	87.0	41.0	57	103.0	M52x2.0	55	60	92WS14RR02	

All dimensions in [mm]

Elbow swivel coupling made of steel

Pipe connection on both sides - bulkhead

Pipe connection as per DIN 2353/ISO 8434-1



* Tolerance ± 1 mm

Light series

PN	Pipe Ø	DN	Size	L1	L2	L3	L4	L5	L6	d1	S1	S2	S3	Part no.
315	6L	4	1	40.5	17	24	16	5	23	M12x1.5	17	22	17	92WL11RS01
	8L	6	1	40.5	17.0	24.0	16	5	23	M14x1.5	17	22	19	92WL11RS02
	10L	8	2	50.5	20.5	31.5	16	5	23	M16x1.5	24	30	22	92WL12RS01
	12L	10	2	50.5	20.5	31.5	16	5	23	M18x1.5	24	30	24	92WL12RS02
	15L	10	2	50.5	19.0	31.5	19	5	26	M22x1.5	24	30	30	92WL12RS03
160	18L	16	3	63.5	27.5	35.0	28	15	35.5	M26x1.5	36	41	36	92WL13RS01
	22L	16	3	63.5	30.0	37.5	30.5	15	38	M30x2.0	36	41	41	92WL13RS02
	28L	24	4	80.5	45.5	53.0	31	15	38.5	M36x2.0	55	60	46	92WL14RS01
	35L	27	4	80.5	40.5	51.0	31.5	15	42	M45x2.0	55	60	55	92WL14RS02
	42L	27	4	80.5	40.0	51.0	33	15	44	M52x2.0	55	60	65	92WL14RS03

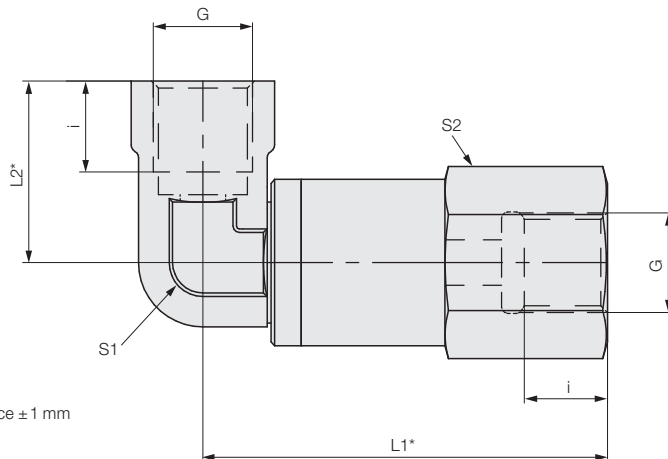
Heavy series

PN	Pipe Ø	DN	Size	L1	L2	L3	L4	L5	L6	d1	S1	S2	S3	Part no.
500	6S	4	1	40.5	16.0	23.0	16	5	23	M14x1.5	17	22	19	92WS11RS01
	8S	5	1	40.5	17.0	24.0	16	5	23	M16x1.5	17	22	22	92WS11RS02
	10S	6	1	40.5	16.5	24.0	15.5	5	23	M18x1.5	17	30	24	92WS11RS03
400	12S	8	2	50.5	17.0	29.0	15.5	5	23	M20x1.5	24	30	27	92WS12RS01
	14S	10	2	50.5	18.0	32.0	18	5	26	M22x1.5	24	30	30	92WS12RS02
	16S	10	2	50.5	19.0	33.0	17.5	5	26	M24x1.5	24	30	32	92WS12RS03
	20S	16	3	77.0	26.5	37.0	28.5	15	39	M30x2.0	36	41	41	92WS13RS01
	25S	16	3	76.5	30.0	42.0	30	15	42	M36x2.0	36	41	46	92WS13RS02
	30S	25	4	80.5	39.5	53.0	30.5	15	44	M42x2.0	55	60	50	92WS14RS01
	38S	27	4	81.5	41.0	57.0	31	15	47	M52x2.0	55	60	65	92WS14RS02

All dimensions in [mm]

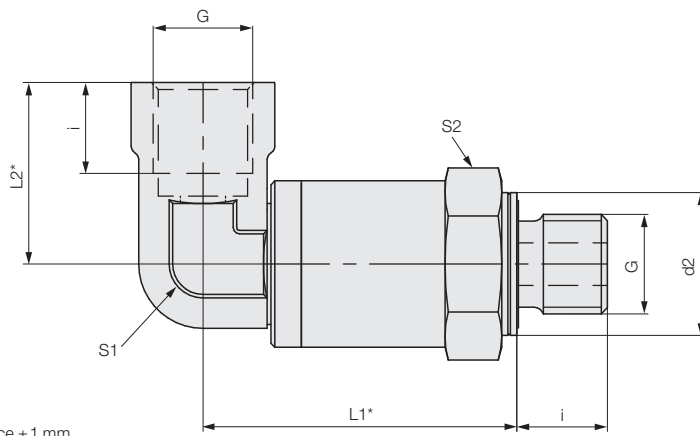
Elbow swivel coupling made of steel
Tapped hole on both sides G pipe thread
Tapped hole G pipe thread - threaded pin G pipe thread

Tapped hole as per DIN 3852 T2/ISO 1179-1 (pipe thread)



PB	G	DN	Size	L1	L2	i	S1	S2	Part no.
250 bar	G 1/8	4	1	49.5	24	8	17	22	92WX11TT01
500 bar	G 1/4	6	1	53.5	24	12	17	22	92WX11TT02
400 bar	G 3/8	8	2	63.0	33	12	24	30	92WX12TT01
	G 1/2	10	2	66.0	49	14	24	30	92WX12TT02
	G 3/4	16	3	81.0	43	16	36	41	92WX13TT01
	G 1	16	3	83.0	61.5	18	36	41	92WX13TT02
	G 1 1/4	27	4	103.0	55.5	20	55	60	92WX14TT01
	G 1 1/2	27	4	111.0	55.5	22	60	60	92WX14TT02

Tapped hole as per DIN 3852 T2/ISO 1179-1 (pipe thread)
 Threaded pin as per DIN 3852 T11/ISO 1179-2 (pipe thread)



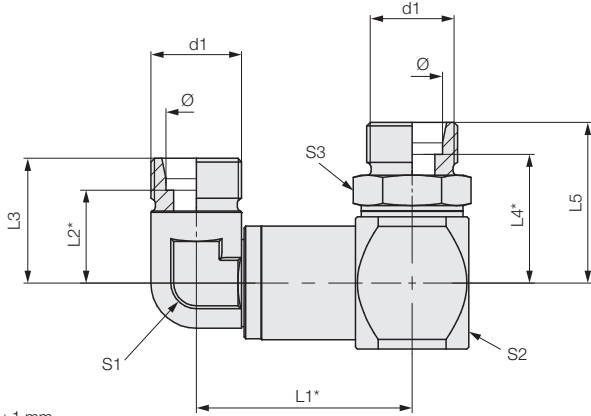
PB	G	DN	Size	L1	L2	i	d2	S1	S2	Part no.
250 bar	G 1/8	4	1	40.5	24	8	14	17	22	92WX11TG01
500 bar	G 1/4	6	1	41.5	24	12	19	17	22	92WX11TG02
400 bar	G 3/8	8	2	51	33	12	24	24	30	92WX12TG01
	G 1/2	10	2	50.5	49	14	27	24	30	92WX12TG02
	G 3/4	16	3	66	43	16	32	36	41	92WX13TG01
	G 1	16	3	64	61.5	18	40	36	41	92WX13TG02
	G 1 1/4	25	4	81	55.5	20	50	55	60	92WX14TG01
	G 1 1/2	27	4	83.5	55.5	22	55	60	60	92WX14TG02

All dimensions in [mm]

Double elbow swivel coupling made of steel

Pipe connection on both sides • Pipe connection – threaded pin G pipe thread

Pipe connection as per DIN 2353/ISO 8434-1



* Tolerance ± 1 mm

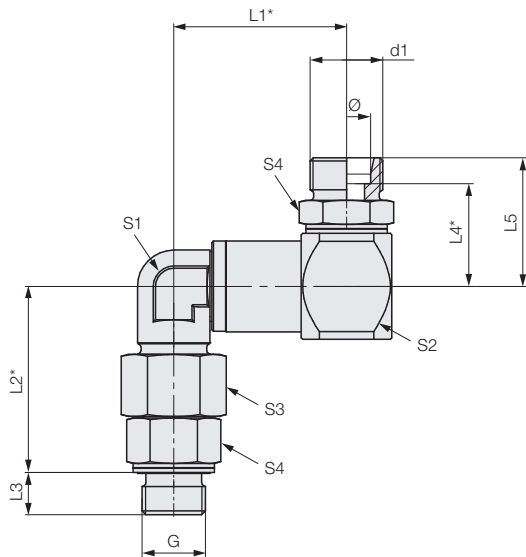
Heavy series

PN	Pipe \varnothing	DN	Size	L1	L2	L3	L4	L5	d1	S1	S2	S3	Part no.
400 bar	06S	4	1	45	17	24	28	35	M14x1.5	17	30	19	92DS11RR01
	08S	5	1	45	17	24	30	37	M16x1.5	17	30	19	92DS11RR02
	12S	8	2	55	21.5	29	32	39.5	M20x1.5	24	30	22	92DS12RR01
	16S	10	2	57	24.5	33	34	42.5	M24x1.5	24	35	27	92DS12RR02
	20S	16	3	74	26.5	37	43	53.5	M30x2.0	36	45	32	92DS13RR01
	25S	16	3	74	30	42	45.5	57.5	M36x2.0	36	45	41	92DS13RR02
315 bar	30S	25	4	94	39.5	53	41.5	55	M42x2.0	55	60	50	92DS14RR01
	38S	27	4	94	41	57	41	57	M52x2.0	55	60	55	92DS14RR02

Threaded pin as per DIN 3852 T11/ISO 1179-2 (pipe thread)

Adjustable around the screw-in axis.

Pipe connection as per DIN 2353/ISO 8434-1



* Tolerance ± 1 mm

Heavy series

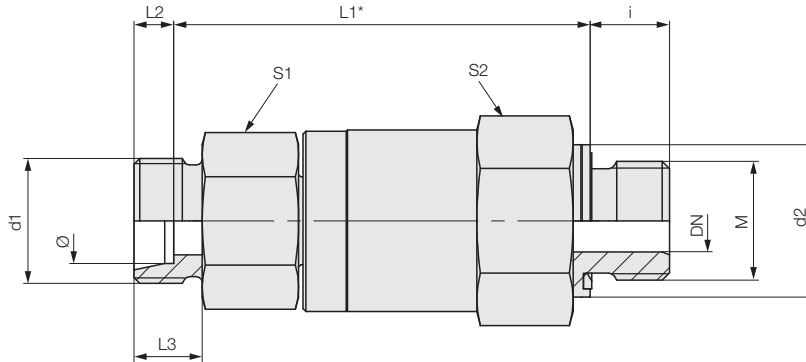
PN	G	Pipe \varnothing	DN	Size	L1	L2	L3	L4	L5	d1	S1	S2	S3	S4	Part no.
400 bar	G 1/4	06S	4	1	45	44	12	28	35	M14x1.5	17	30	17	19	92DS11RG01
	G 1/4	08S	5	1	45	46.5	12	30	37	M16x1.5	17	30	19	19	92DS11RG02
	G 3/8	12S	8	2	55	55.5	12	32	39.5	M20x1.5	24	30	24	22	92DS12RG01
	G 1/2	16S	10	2	57	61.5	14	34	42.5	M24x1.5	24	35	30	27	92DS12RG02
	G 3/4	20S	16	3	74	69.5	16	43	53.5	M30x2.0	36	45	36	32	92DS13RG01
	G 1	25S	16	3	74	78	18	45.5	57.5	M36x2.0	36	45	46	41	92DS13RG02
315 bar	G1 1/4	30S	25	4	94	90.5	20	41.5	55	M42x2.0	55	60	50	50	92DS14RG01
	G1 1/2	38S	27	4	94	101	22	41	57	M52x2.0	55	60	60	55	92DS14RG02

All dimensions in [mm]

Straight swivel coupling made of stainless steel

Pipe connection – threaded pin M metric

Pipe connection as per DIN 2353/ISO 8434-1
 Threaded pin as per DIN 3852 T11/ISO 9974-2 (metric)



* Tolerance ±1 mm

Light series

PN	Pipe Ø	M	DN	Size	L1	L2	L3	i	d1	d2	S1	S2	Part no.
315 bar	6L	M10x1.0 ED	4	1	68.0	7.0	10	8	M12x1.5	14	19	24	92GL21RM01
	6L	M12x1.5 ED	4	1	64.0	7.0	10	12	M12x1.5	19	19	24	92GL21RM02
	8L	M12x1.5 ED	4	1	64.0	7.0	10	12	M14x1.5	19	19	24	92GL21RM03
	8L	M14x1.5 ED	5	1	64.0	7.0	10	12	M14x1.5	19	19	24	92GL21RM04
	10L	M14x1.5 ED	5	1	64.0	7.0	11	12	M16x1.5	19	19	24	92GL21RM05
	10L	M16x1.5 ED	7	2	75.5	7.0	11	12	M16x1.5	22	27	32	92GL22RM01
	12L	M16x1.5 ED	7	2	75.5	7.0	11	12	M18x1.5	22	27	32	92GL22RM02
	12L	M18x1.5 ED	8	2	73.5	7.0	11	14	M18x1.5	24	27	32	92GL22RM03
	15L	M18x1.5 ED	8	2	73.5	7.0	12	14	M22x1.5	24	27	32	92GL22RM04
	18L	M22x1.5 ED	10	2	73.0	7.5	12	14	M26x1.5	27	27	32	92GL22RM05
160 bar	22L	M26x1.5 ED	18	3	99.5	7.5	14	16	M30x2.0	32	36	50	92GL23RM01
	28L	M33x2.0 ED	21	3	97.5	7.5	14	18	M36x2.0	40	36	50	92GL23RM02
	35L	M42x2.0 ED	30	4	114.0	10.5	16	20	M45x2.0	50	55	60	92GL24RM01
	42L	M48x2.0 ED	36	5	133.5	11.0	16	22	M52x2.0	55	65	80	92GL25RM02

Heavy series

PN	Pipe Ø	M	DN	Size	L1	L2	L3	i	d1	d2	S1	S2	Part no.
400 bar	6S	M12x1.5 ED	4	1	64.0	7.0	12	12	M14x1.5	19	19	24	92GS21RM01
	8S	M14x1.5 ED	5	1	64.0	7.0	12	12	M16x1.5	19	19	24	92GS21RM02
	10S	M16x1.5 ED	6	1	63.5	7.5	12	12	M18x1.5	22	27	32	92GS21RM03
	12S	M18x1.5 ED	8	2	75.0	7.5	12	12	M20x1.5	22	27	32	92GS22RM01
	14S	M20x1.5 ED	10	2	72.5	8.0	14	14	M22x1.5	26	27	32	92GS22RM02
	16S	M22x1.5 ED	10	2	72.0	8.5	14	14	M24x1.5	27	27	32	92GS22RM03
	20S	M27x2.0 ED	16	3	96.5	10.5	16	16	M30x2.0	32	36	50	92GS23RM01
	25S	M33x2.0 ED	18	3	93.0	12.0	18	18	M36x2.0	40	36	50	92GS23RM02
	30S	M42x2.0 ED	25	4	111.0	13.5	20	20	M42x2.0	50	55	60	92GS24RM01
	38S	M48x2.0 ED	30	5	128.5	16.0	22	22	M52x2.0	55	65	80	92GS25RM02

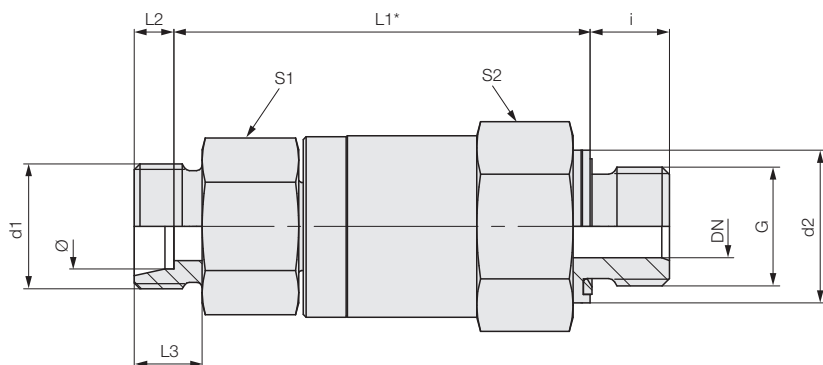
All dimensions in [mm]

Straight swivel coupling made of stainless steel

Pipe connection – threaded pin G pipe thread

Pipe connection as per DIN 2353/ISO 8434-1

Threaded pin as per DIN 3852 T11/ISO 1179-2 (pipe thread)



* Tolerance ± 1 mm

Light series

PN	Pipe \varnothing	G	DN	Size	L1*	L2	L3	i	d1	d2	S1	S2	Part no.
315 bar	6L	G 1/8 ED	4	1	68.0	7	10	8	M12x1.5	14	19	24	92GL21RG01
	6L	G 1/4 ED	4	1	64.0	7	10	12	M12x1.5	19	19	24	92GL21RG02
	8L	G 1/4 ED	6	1	64.0	7	10	12	M14x1.5	19	19	24	92GL21RG03
	10 L	G 1/4 ED	6	1	64.0	7	11	12	M16x1.5	19	19	32	92GL21RG04
	10 L	G 3/8 ED	8	2	75.5	7	11	12	M16x1.5	22	27	32	92GL22RG01
	12L	G 3/8 ED	8	2	75.5	7	11	12	M18x1.5	22	27	32	92GL22RG02
	12L	G 1/2 ED	10	2	73.5	7	11	14	M18x1.5	27	27	32	92GL22RG03
	15L	G 1/2 ED	10	2	73.5	7	12	14	M22x1.5	27	27	32	92GL22RG04
160 bar	18L	G 1/2 ED	10	2	73.0	7.5	12	14	M26x1.5	27	27	32	92GL22RG05
	22L	G 3/4 ED	18	3	99.5	7.5	14	16	M30x2.0	32	36	50	92GL23RG01
	28L	G 1 ED	21	3	97.5	7.5	14	18	M36x2.0	40	36	50	92GL23RG02
	35L	G 1 1/4 ED	30	4	114.0	10.5	16	20	M45x2.0	50	55	60	92GL24RG01
	42L	G 1 1/2 ED	36	5	133.5	11	16	22	M52x2.0	55	65	80	92GL25RG02

Heavy series

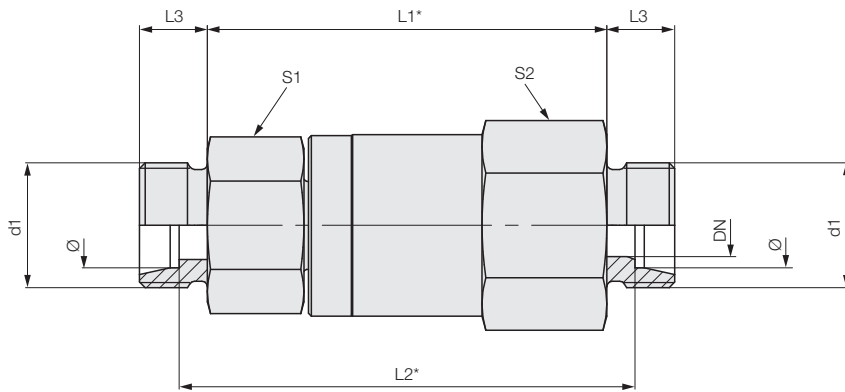
PN	Pipe \varnothing	G	DN	Size	L1*	L2	L3	i	d1	d2	S1	S2	Part no.
400 bar	6S	G 1/4 ED	4	1	64.0	7	12	12	M14x1.5	19	19	24	92GS21RG01
	8S	G 1/4 ED	5	1	64.0	7	12	12	M16x1.5	19	19	24	92GS21RG02
	10S	G 3/8 ED	6	1	63.5	7.5	12	12	M18x1.5	22	27	32	92GS21RG03
	12S	G 3/8 ED	8	2	75.0	7.5	12	12	M20x1.5	22	27	32	92GS22RG01
	14S	G 1/2 ED	10	2	72.5	8	14	14	M22x1.5	27	27	32	92GS22RG02
	16S	G 1/2 ED	10	2	72.0	8.5	14	14	M24x1.5	27	27	32	92GS22RG03
	20S	G 3/4 ED	16	3	96.5	10.5	16	16	M30x2.0	32	36	50	92GS23RG01
	25S	G 1 ED	18	3	93.0	12	18	18	M36x2.0	40	36	50	92GS23RG02
	30S	G 1 1/4 ED	25	4	111.0	13.5	20	20	M42x2.0	50	55	60	92GS24RG01
	38S	G1 1/2 ED	30	5	128.5	16	22	22	M52x2.0	55	65	80	92GS25RG02

All dimensions in [mm]

Straight swivel coupling made of stainless steel

Pipe connection on both sides

Pipe connection on both sides as per DIN 2353/ISO 8434-1



* Tolerance ± 1 mm

Light series

PN	Pipe Ø	DN	Size	L1*	L2	L3	d1	d2	S1	S2	Part no.
315 bar	6L	4	1	63.0	69.0	10	M12x1.5	25.5	19	24	92GL21RR01
	8L	6	1	63.0	69.0	10	M14x1.5	25.5	19	24	92GL21RR02
	10L	8	2	72.5	80.5	11	M16x1.5	33.5	27	32	92GL22RR01
	12L	10	2	72.5	80.5	11	M18x1.5	33.5	27	32	92GL22RR02
	15L	10	2	70.5	80.5	12	M22x1.5	33.5	27	32	92GL22RR03
160 bar	18L	15	3	99.0	108.0	12	M26x1.5	46.0	36	50	92GL23RR01
	22L	19	3	95.0	108.0	14	M30x2.0	46.0	36	50	92GL23RR02
	28L	24	4	109.5	122.5	14	M36x2.0	67.0	55	60	92GL24RR01
	35L	30	4	107.5	118.5	16	M45x2.0	67.0	55	60	92GL24RR02
	42L	36	5	134.5	144.5	16	M52x2.0	67.0	65	80	92GL25RR01

Heavy series

PN	Pipe Ø	DN	Size	L1*	L2	L3	d1	d2	S1	S2	Part no.
400 bar	6S	4	1	59.0	69.0	12	M14x1.5	25.5	19	24	92GS21RR01
	8S	5	1	59.0	69.0	12	M16x1.5	25.5	19	24	92GS21RR02
	10S	6	1	59.0	68.0	12	M18x1.5	33.5	27	32	92GS21RR03
	12S	8	2	70.5	79.5	12	M20x1.5	33.5	27	32	92GS22RR01
	14S	10	2	66.5	78.5	14	M22x1.5	33.5	27	32	92GS22RR02
	16S	10	2	66.5	77.5	14	M24x1.5	33.5	27	32	92GS22RR03
	20S	16	3	91.0	102.0	16	M30x2.0	46.0	36	50	92GS23RR01
	25S	18	3	87.0	99.0	18	M36x2.0	46.0	36	50	92GS23RR02
	30S	25	4	103.5	116.5	20	M42x2.0	67.0	55	60	92GS24RR01
	38S	30	5	122.5	134.5	22	M52x2.0	67.0	65	80	92GS25RR02

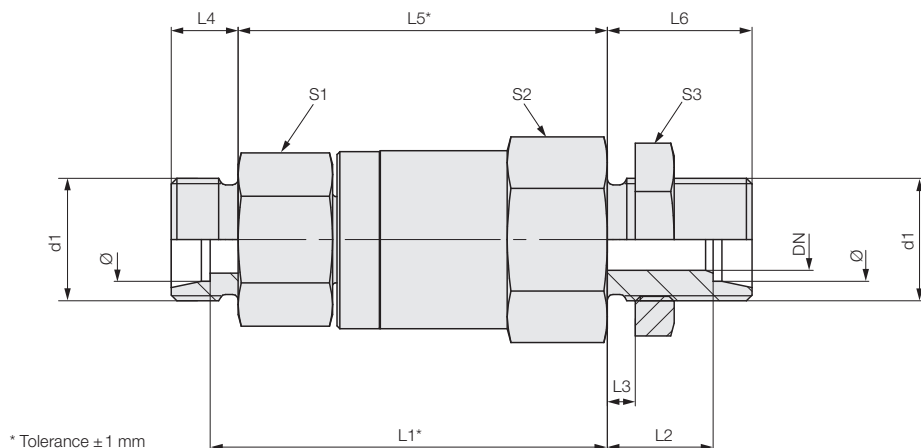
All dimensions in [mm]

Straight swivel coupling made of stainless steel

Pipe connection on both sides - bulkhead

Pipe connection on both sides as per DIN 2353/ISO 8434-1

The bulkhead lengths are not identical with ISO 8434 !



Light series

PN	Pipe Ø	DN	Size	L1	L2	L3	L4	L5	L6	d1	S1	S2	S3	Part no.
315 bar	6L	4	1	63.0	16	5	10	60.0	23	M12x1.5	19	24	17	92GL21RS01
	8L	6	1	63.0	16	5	10	60.0	23	M14x1.5	19	24	19	92GL21RS02
	10 L	8	2	74.5	16	5	11	70.5	23	M16x1.5	27	32	22	92GL22RS01
	12L	10	2	74.5	16	5	11	70.5	23	M18x1.5	27	32	24	92GL22RS02
	15L	10	2	71.5	19	5	12	66.5	26	M22x1.5	27	32	30	92GL22RS03
160 bar	18L	15	3	101.0	28	15	12	96.5	35.5	M26x1.5	36	50	36	92GL23RS01
	22L	19	3	98.5	30.5	15	14	92.0	38	M30x2.0	36	50	41	92GL23RS02
	28L	24	4	116.0	31	15	14	109.5	38.5	M36x2.0	55	60	46	92GL24RS01
	35L	30	4	113.0	31.5	15	16	107.5	42	M45x2.0	55	60	55	92GL24RS02
	42L	36	5	136.5	33	15	16	131.5	44	M52x2.0	65	80	65	92GL25RS01

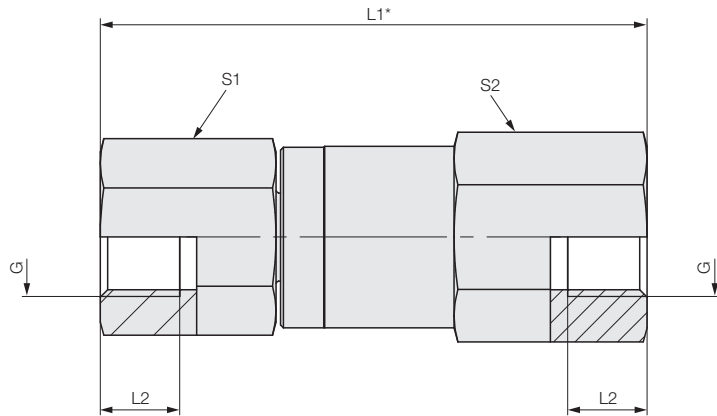
Heavy series

PN	Pipe Ø	DN	Size	L1	L2	L3	L4	L5	L6	d1	S1	S2	S3	Part no.
400 bar	6S	4	1	63.0	16	5	12	58.0	23	M14x1.5	19	24	19	92GS21RS01
	8S	5	1	63.0	16	5	12	58.0	23	M16x1.5	19	24	22	92GS21RS02
	10S	6	1	62.5	15.5	5	12	58.0	23	M18x1.5	27	32	24	92GS21RS03
	12S	8	2	74.0	15.5	5	12	69.5	23	M20x1.5	27	32	27	92GS22RS01
	14S	10	2	70.5	18	5	14	64.5	26	M22x1.5	27	32	30	92GS22RS02
	16S	10	2	70.0	17.5	5	14	64.5	26	M24x1.5	27	32	32	92GS22RS03
	20S	16	3	94.5	28.5	15	16	89.0	39	M30x2.0	36	50	41	92GS23RS01
	25S	18	3	90.0	30	15	18	84.0	42	M36x2.0	36	50	46	92GS23RS02
	30S	25	4	110.0	30.5	15	20	103.5	44	M42x2.0	55	60	50	92GS24RS01
	38S	30	5	128.5	31	15	22	122.5	47	M52x2.0	65	80	65	92GS25RS02

All dimensions in [mm]

Straight swivel coupling made of stainless steel
Tapped hole on both sides G pipe thread
Tapped hole G pipe thread - threaded pin G pipe thread

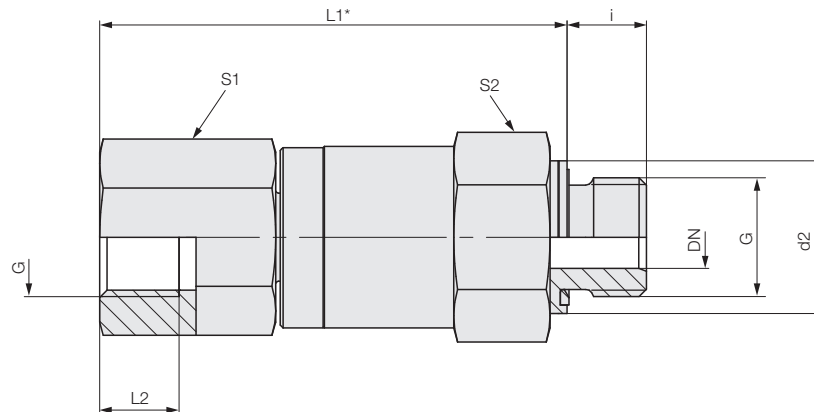
Tapped hole as per DIN 3852 T2/ISO 1179-1 (pipe thread)



* Tolerance ± 1 mm

PB	G	DN	Size	L1	L2	S1	S2	Part no.
160 bar	G 1	21	3	123.0	18	41	50	92GX23TT03
	G 1 1/4	30	4	142.0	20	55	60	92GX24TT02
200 bar	G 1 1/2	36	5	166.5	20	65	80	92GX25TT02
400 bar	G 1/4	6	1	83.0	12	19	24	92GX21TT01
	G 3/8	8	2	94.5	12	27	32	92GX22TT01
	G 1/2	10	2	94.5	14	30	32	92GX22TT02
	G 3/4	18	3	123.0	16	36	50	92GX23TT01
	G 1	18	3	123.0	18	41	50	92GX23TT02
	G 1 1/4	25	4	144.5	20	55	60	92GX24TT01
	G 1 1/2	30	5	166.5	20	65	80	92GX25TT01

Tapped hole as per DIN 3852 T2/ISO 1179-1 (pipe thread)
Threaded pin as per DIN 3852 T11/ISO 1179-2 (pipe thread)



* Tolerance ± 1 mm

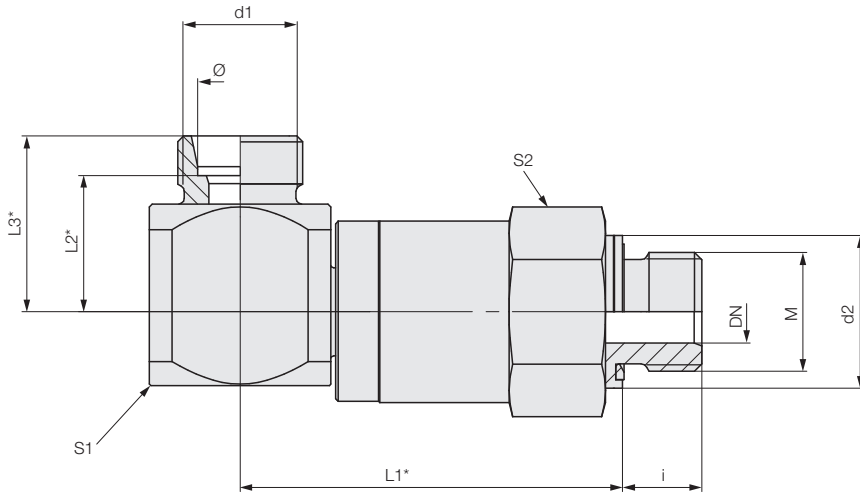
PB	G	DN	Size	L1	L2	i	d2	S1	S2	Part no.
160 bar	G 3/4	18	3	107.0	16	16	46	36	50	92GX23TG03
	G1	21	3	105.0	18	18	46	41	50	92GX23TG04
	G1 1/4	30	4	122.0	20	20	67	55	60	92GX24TG02
200 bar	G1 1/2	36	5	144.5	22	22	67	65	80	92GX25TG02
400 bar	G 1/4	6	1	71.0	12	12	25.5	19	24	92GX21TG01
	G 3/8	8	2	82.5	12	12	33.5	27	32	92GX22TG01
	G 1/2	10	2	80.5	14	14	33.5	30	32	92GX22TG02
	G 3/4	16	3	126.0	16	16	46	36	50	92GX23TG01
	G 1	18	3	124.0	18	18	46	41	50	92GX23TG02
	G1 1/4	25	4	124.5	20	20	67	55	60	92GX24TG01
	G1 1/2	30	5	144.5	22	22	67	65	80	92GX25TG01

All dimensions in [mm]

Elbow swivel coupling made of stainless steel

Pipe connection – threaded pin M metric

Pipe connection as per DIN 2353/ISO 8434-1
 Threaded pin as per DIN 3852 T11/ISO 9974-2 (metric)



* Tolerance ± 1 mm

Light series

PN	Pipe Ø	M	DN	Size	L1	L2	L3	i	d1	d2	S1	S2	Part no.
315 bar	6L	M10x1.0 ED	4	1	60.0	16.0	23	8	M12x1.5	14	24	24	92WL21RM01
	6L	M12x1.5 ED	4	1	56.0	16.0	23	12	M12x1.5	17	24	24	92WL21RM02
	8L	M12x1.5 ED	4	1	56.0	16.0	23	12	M14x1.5	17	24	24	92WL21RM03
	8L	M14x1.5 ED	5	1	56.0	16.0	23	12	M14x1.5	19	24	24	92WL21RM04
	10 L	M14x1.5 ED	5	1	56.0	16.0	23	12	M16x1.5	19	24	24	92WL21RM05
	10 L	M16x1.5 ED	7	2	69.5	24.0	31	12	M16x1.5	22	32	32	92WL22RM01
	12L	M16x1.5 ED	7	2	69.5	24.0	31	12	M18x1.5	22	32	32	92WL22RM02
	12L	M18x1.5 ED	8	2	69.5	24.0	31	14	M18x1.5	24	32	32	92WL22RM03
	15L	M18x1.5 ED	8	2	69.5	24.0	31	14	M22x1.5	24	32	32	92WL22RM04
	18L	M22x1.5 ED	10	2	67.5	23.5	31	14	M26x1.5	27	32	32	92WL22RM05
160 bar	22L	M26x1.5 ED	18	3	94.5	34.5	42	16	M30x2.0	32	45	50	92WL23RM01
	28L	M33x2.0 ED	21	3	92.5	34.5	42	18	M36x2.0	40	45	50	92WL23RM02
	35L	M42x2.0 ED	30	4	112.0	38.5	49	20	M45x2.0	50	60	60	92WL24RM01
	42L	M48x2.0 ED	36	5	129.5	56.0	67	22	M52x2.0	55	70	80	92WL25RM02

Heavy series

PN	Pipe Ø	M	DN	Size	L1	L2	L3	i	d1	d2	S1	S2	Part no.
400 bar	6S	M12x1.5 ED	4	1	56.0	16.0	23	12	M14x1.5	17	24	24	92WS21RM01
	8S	M14x1.5 ED	5	1	56.0	16.0	23	12	M16x1.5	19	24	24	92WS21RM02
	10S	M16x1.5 ED	6	1	56.0	15.5	23	12	M18x1.5	22	24	24	92WS21RM03
	12S	M18x1.5 ED	8	2	69.5	23.5	31	12	M20x1.5	22	32	32	92WS22RM01
	14S	M20x1.5 ED	10	2	67.5	23.0	31	14	M22x1.5	26	32	32	92WS22RM02
	16S	M22x1.5 ED	10	2	67.5	22.5	31	14	M24x1.5	27	32	32	92WS22RM03
	20S	M27x2.0 ED	16	3	94.5	31.5	42	16	M30x2.0	32	45	50	92WS23RM01
	25S	M33x2.0 ED	18	3	92.5	30.0	42	18	M36x2.0	40	45	50	92WS23RM02
	30S	M42x2.0 ED	25	4	112.0	35.5	49	20	M42x2.0	50	60	60	92WS24RM01
	38S	M48x2.0 ED	30	5	129.5	51.0	67	22	M52x2.0	55	70	80	92WS25RM02

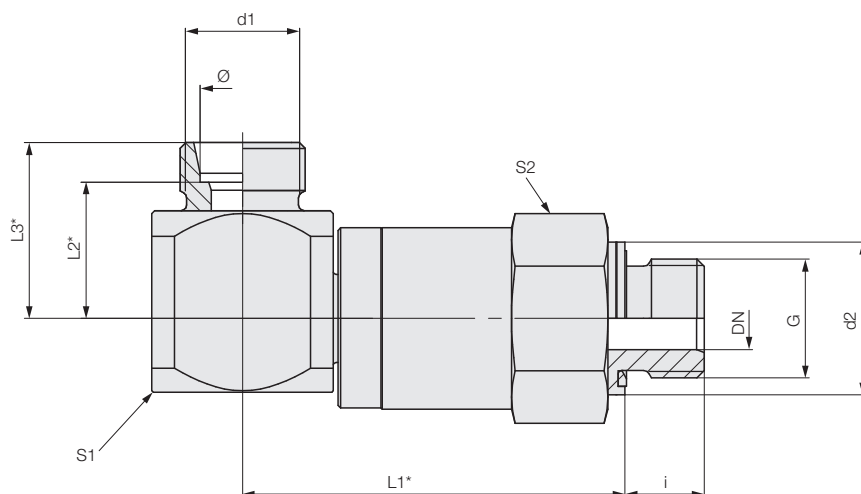
All dimensions in [mm]

Elbow swivel coupling made of steel

Pipe connection – threaded pin G pipe thread

Pipe connection as per DIN 2353/ISO 8434-1

Threaded pin as per DIN 3852 T11/ISO 1179-2 (pipe thread)



* Tolerance ± 1 mm

Light series

PN	Pipe Ø	G	DN	Size	L1	L2	L3	i	d1	d2	S1	S2	Part no.
315 bar	6L	G 1/8 ED	4	1	60.0	16.0	23	8	M12x1.5	14	24	24	92WL21RG01
	6L	G 1/4 ED	4	1	56.0	16.0	23	12	M12x1.5	19	24	24	92WL21RG02
	8L	G 1/4 ED	6	1	56.0	16.0	23	12	M14x1.5	19	24	24	92WL21RG03
	10L	G 1/4 ED	6	1	56.0	16.0	23	12	M16x1.5	19	24	24	92WL21RG04
	10L	G 3/8 ED	8	2	69.5	24.0	31	12	M16x1.5	22	32	32	92WL22RG01
	12L	G 3/8 ED	8	2	69.5	24.0	31	12	M18x1.5	22	32	32	92WL22RG02
	12L	G 1/2 ED	10	2	67.5	24.0	31	14	M18x1.5	27	32	32	92WL22RG03
	15L	G 1/2 ED	10	2	67.5	24.0	31	14	M22x1.5	27	32	32	92WL22RG04
	18L	G 1/2 ED	10	2	67.5	23.5	31	14	M26x1.5	27	32	32	92WL22RG05
	160 bar	22L	G 3/4 ED	19	3	94.5	34.5	42	16	M30x2.0	32	45	50
28L		G 1 ED	21	3	92.5	34.5	42	18	M36x2.0	40	45	50	92WL23RG02
35L		G 1 1/4 ED	30	4	112.0	38.5	49	20	M45x2.0	50	60	60	92WL24RG01
42L		G 1 1/2 ED	36	5	129.5	56.0	67	22	M52x2.0	55	70	80	92WL25RG02

Heavy series

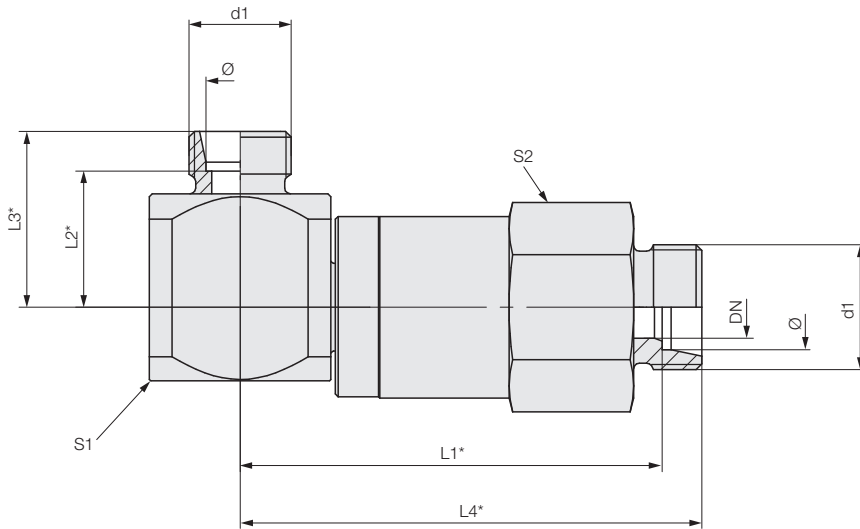
PN	Pipe Ø	G	DN	Size	L1	L2	L3	i	d1	d2	S1	S2	Part no.
400 bar	6S	G 1/4 ED	4	1	56.0	16.0	23	12	M14x1.5	19	24	24	92WS21RG01
	8S	G 1/4 ED	5	1	56.0	16.0	23	12	M16x1.5	19	24	24	92WS21RG02
	10S	G 3/8 ED	6	1	56.0	15.5	23	12	M18x1.5	22	24	24	92WS21RG03
	12S	G 3/8 ED	8	2	69.5	23.5	31	12	M20x1.5	22	32	32	92WS22RG01
	14S	G 1/2 ED	10	2	67.5	23.0	31	14	M22x1.5	27	32	32	92WS22RG02
	16S	G 1/2 ED	10	2	67.5	22.5	31	14	M24x1.5	27	32	32	92WS22RG03
	20S	G 3/4 ED	16	3	94.5	31.5	42	16	M30x2.0	32	45	50	92WS23RG01
	25S	G 1 ED	18	3	92.5	30.0	42	18	M36x2.0	40	45	50	92WS23RG02
	30S	G 1 1/4 ED	25	4	112.0	35.5	49	20	M42x2.0	50	60	60	92WS24RG01
	38S	G 1 1/2 ED	30	5	129.5	51.0	67	22	M52x2.0	55	70	80	92WS25RG02

All dimensions in [mm]

Elbow swivel coupling made of stainless steel

Pipe connection on both sides

Pipe connection on both sides as per DIN 2353/ISO 8434-1



* Tolerance ± 1 mm

Light series

PN	Pipe Ø	DN	Size	L1	L2	L3	L4	d1	S1	S2	Part no.
315 bar	6L	4	1	61.0	16.0	23	68.0	M12x1.5	24	24	92WL21RR01
	8L	6	1	61.0	16.0	23	68.0	M14x1.5	24	24	92WL21RR02
	10 L	8	2	74.5	24.0	31	81.5	M16x1.5	32	32	92WL22RR01
	12L	10	2	74.5	24.0	31	81.5	M18x1.5	32	32	92WL22RR02
	15L	10	2	74.5	24.0	31	81.5	M22x1.5	32	32	92WL22RR03
160 bar	18L	16	3	103.0	34.5	42	110.5	M26x1.5	45	50	92WL23RR01
	22L	19	3	103.0	34.5	42	110.5	M30x2.0	45	50	92WL23RR02
	28L	24	4	117.5	41.5	49	125.0	M36x2.0	60	60	92WL24RR01
	35L	30	4	116.5	38.5	49	127.0	M45x2.0	60	60	92WL24RR02
	42L	36	5	140.5	56.0	67	151.5	M52x2.0	70	80	92WL25RR01

Heavy series

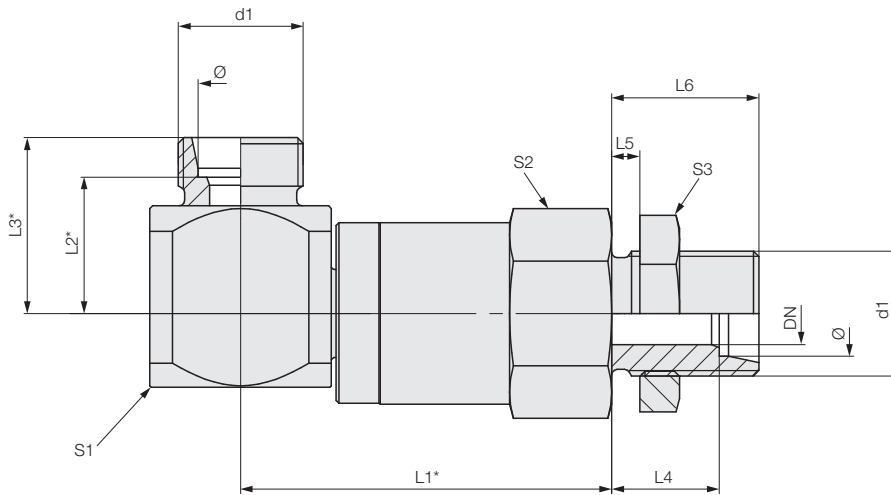
PN	Pipe Ø	DN	Size	L1	L2	L3	L4	d1	S1	S2	Part no.
400 bar	6S	4	1	61.0	16.0	23	68.0	M14x1.5	24	24	92WS21RR01
	8S	5	1	61.0	16.0	23	68.0	M16x1.5	24	24	92WS21RR02
	10S	6	1	60.5	15.5	23	68.0	M18x1.5	32	32	92WS21RR03
	12S	8	2	74.0	23.5	31	81.5	M20x1.5	32	32	92WS22RR01
	14S	10	2	73.5	23.0	31	81.5	M22x1.5	32	32	92WS22RR02
	16S	10	2	73.0	22.5	31	81.5	M24x1.5	32	32	92WS22RR03
	20S	16	3	100.0	31.5	42	110.5	M30x2.0	45	50	92WS23RR01
	25S	18	3	98.5	30.0	42	110.5	M36x2.0	45	50	92WS23RR02
	30S	25	4	117.5	35.5	49	131.0	M42x2.0	60	60	92WS24RR01
38S	30	5	135.5	51.0	67	151.5	M52x2.0	70	80	92WS25RR02	

All dimensions in [mm]

Elbow swivel coupling made of stainless steel

Pipe connection on both sides - bulkhead

Pipe connection as per DIN 2353/ISO 8434-1



* Tolerance ± 1 mm

Light series

PN	Pipe Ø	DN	Size	L1	L2	L3	L4	L5	L6	d1	S1	S2	S3	Part no.
315 bar	6L	4	1	55.0	16	23	16.0	5	23.0	M12x1.5	24	24	17	92WL21RS01
	8L	6	1	55.0	16	23	16.0	5	23.0	M14x1.5	24	24	19	92WL21RS02
	10L	8	2	68.5	24	31	16.0	5	23.0	M16x1.5	32	32	22	92WL22RS01
	12L	10	2	68.5	24	31	16.0	5	23.0	M18x1.5	32	32	24	92WL22RS02
	15L	10	2	65.5	24	31	19.0	5	26.0	M22x1.5	32	32	30	92WL22RS03
160 bar	18L	15	3	96.0	35	42	28.0	15	35.5	M26x1.5	45	50	36	92WL23RS01
	22L	19	3	93.5	35	42	30.5	15	38.0	M30x2.0	45	50	41	92WL23RS02
	28L	21	4	111.0	42	49	31.0	15	38.5	M36x2.0	60	60	46	92WL24RS01
	35L	30	4	111.0	39	49	31.5	15	42.0	M45x2.0	60	60	55	92WL24RS02
	42L	36	5	132.5	56	67	33.0	15	44.0	M52x2.0	70	80	65	92WL25RS01

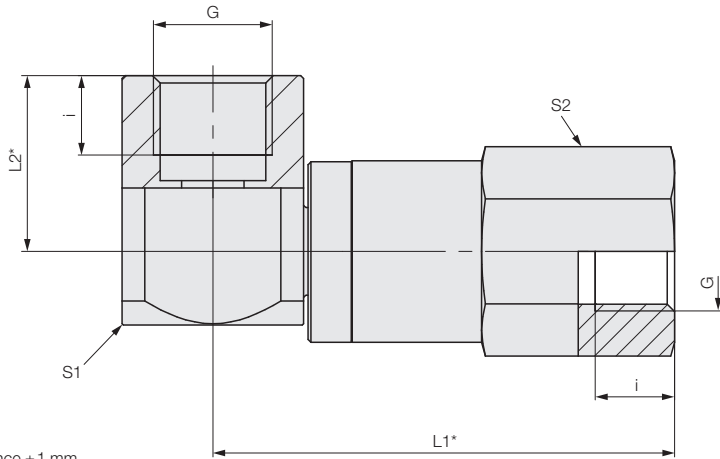
Heavy series

PN	Pipe Ø	DN	Size	L1	L2	L3	L4	L5	L6	d1	S1	S2	S3	Part no.
400 bar	6S	4	1	55.0	16	23	16.0	5	23.0	M14x1.5	24	24	19	92WS21RS01
	8S	5	1	55.0	16	23	16.0	5	23.0	M16x1.5	24	24	22	92WS21RS02
	10S	6	1	55.0	16	23	15.5	5	23.0	M18x1.5	24	32	24	92WS21RS03
	12S	8	2	68.5	24	31	15.5	5	23.0	M20x1.5	32	32	27	92WS22RS01
	14S	10	2	65.5	23	31	18.0	5	26.0	M22x1.5	32	32	30	92WS22RS02
	16S	10	2	65.5	23	31	17.5	5	26.0	M24x1.5	32	32	32	92WS22RS03
	20S	16	3	92.5	32	42	28.5	15	39.0	M30x2.0	45	50	41	92WS23RS01
	25S	18	3	89.5	30	42	30.0	15	42.0	M36x2.0	45	50	46	92WS23RS02
	30S	25	4	111.0	36	49	30.5	15	44.0	M42x2.0	60	60	50	92WS24RS01
	38S	30	5	129.5	51	67	31.0	15	47.0	M52x2.0	70	80	65	92WS25RS02

All dimensions in [mm]

Elbow swivel coupling made of stainless steel
Tapped hole on both sides G pipe thread
Tapped hole G pipe thread - threaded pin G pipe thread

Tapped hole as per DIN 3852 T2/ISO 1179-1 (pipe thread)

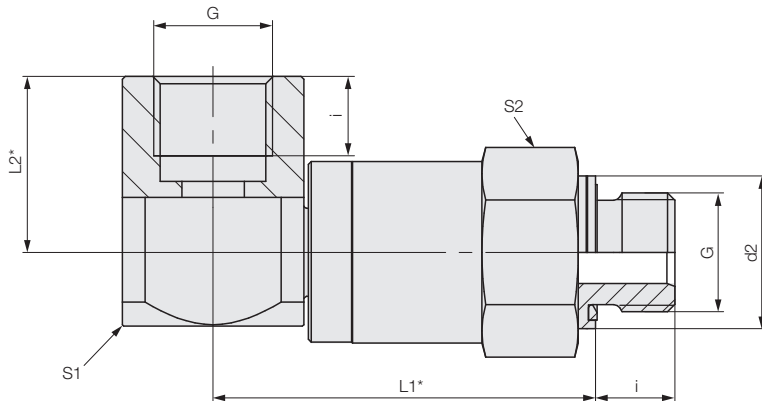


* Tolerance ± 1 mm

PN	G	DN	Size	L1	L2	i	S1	S2	Part no.
160 bar	G 3/4	18	3	110.5	42	16	45	50	92WX23TT03
	G 1	21	3	110.5	42	18	45	50	92WX23TT04
	G 1 1/4	30	4	130.0	49	20	60	60	92WX24TT02
200 bar	G 1 1/2	36	5	151.5	67	22	70	80	92WX25TT02
250 bar	G 1/8	4	1	68.0	23	8	24	24	92WX21TT01
400 bar	G 1/4	6	1	68.0	23	12	24	24	92WX21TT02
	G 3/8	8	2	81.5	31	12	32	32	92WX22TT01
	G 1/2	10	2	81.5	31	14	32	32	92WX22TT02
	G 3/4	16	3	110.5	42	16	45	50	92WX23TT01
	G 1	18	3	110.5	42	18	45	50	92WX23TT02
	G 1 1/4	25	4	132.0	49	20	60	60	92WX24TT01
	G 1 1/2	30	5	151.5	67	22	70	80	92WX25TT01

Tapped hole as per DIN 3852 T2/ISO 1179-1 (pipe thread)

Threaded pin as per DIN 3852 T11/ISO 1179-2 (pipe thread)



* Tolerance ± 1 mm

PB	G	DN	Size	L1	L2	i	d2	S1	S2	Part no.
160 bar	G 3/4	18	3	94.5	42	16	32	45	50	92WX23TG03
	G 1	21	3	92.5	42	18	40	45	50	92WX23TG04
	G 1 1/4	30	4	110.0	49	20	50	60	60	92WX24TG02
200 bar	G 1 1/2	36	5	129.5	67	22	55	70	80	92WX25TG02
250 bar	G 1/8	4	1	60.0	23	8	14	24	24	92WX21TG01
400 bar	G 1/4	6	1	56.0	23	12	19	24	24	92WX21TG02
	G 3/8	8	2	69.5	31	12	24	32	32	92WX22TG01
	G 1/2	10	2	67.5	31	14	27	32	32	92WX22TG02
	G 3/4	16	3	94.5	42	16	32	45	50	92WX23TG01
	G 1	18	3	92.5	42	18	40	45	50	92WX23TG02
	G 1 1/4	25	4	112.0	49	20	50	60	60	92WX24TG01
	G 1 1/2	30	5	129.5	67	22	55	70	80	92WX25TG01

All dimensions in [mm]

