



Pull-Type Cylinders
single acting with spring return,
max. operating pressure 500 bar



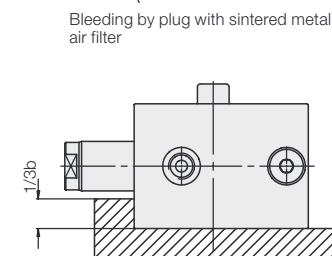
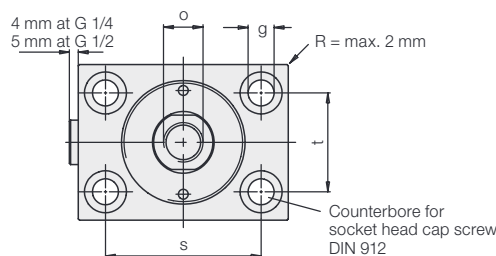
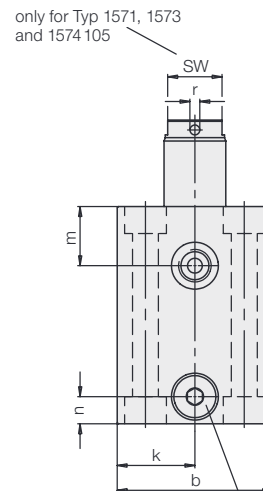
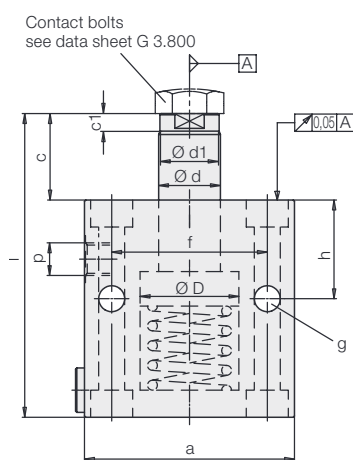
Tolerances for length and angle dimensions as per DIN 7168-m

Material

Piston: case-hardening steel, hardened
Cylinder body: high alloy steel

Important notes

If there is a possibility that aggressive cutting lubricants and coolants penetrate through the sintered metal air filter into the cylinder's interior, a vent hose has to be connected and be placed in a protected position.
Operating conditions, tolerances and other data see data sheet A 0.100.
It is absolutely necessary to follow the instructions for venting of the spring area on data sheet G 0.110



Cylinders must be supported at the front for operating pressures exceeding 160 bar

Piston Ø D	[mm]	16	25	32	40	50	63	80	100
Rod Ø d	[mm]	10	16	20	25	32	40	50	63
Force to pull at 100 bar	[kN]	1.1	2.7	4.6	7.3	11.0	17.9	29.2	45.6
Force to pull at 500 bar	[kN]	6.0	14.3	24.2	37.9	57.3	92.3	151.8	235.0
Spring return force, min.	[N]	40	140	195	270	440	430	760	1200
Oil volume per 10 mm stroke	[cm ³]	1.22	2.9	4.9	7.65	11.6	18.6	30.63	47.36
a	[mm]	60	65	75	85	100	125	160	200
b	[mm]	35	45	55	63	75	95	120	150
c	[mm]	22	27	35	35	35	44	46	55
Ø d1 x c1	[mm]	9,2x3.7	15x5	19x7.8	24x7.1	30,5x6,5	38,7x9,2	48x10,6	61x12,1
f	[mm]	30	50	55	63	76	95	120	158
g	[mm]	6.5	8.5	10.5	10.5	13	17	21	25
h	[mm]	30	33	38	40	44	50	60	64
k	[mm]	17.5	22.5	27.5	31.5	37.5	47.5	60	75
m	[mm]	16.5	18	22	24	27	26	34	35
n	[mm]	11	11	11	11	13	17	21	25
o x depth of thread	[mm]	M 6x12	M 10x15	M 12x15	M 16x25	M 20x25	M 27x40	M 30x40	M 42x60
p	[mm]	G 1/4	G 1/4	G 1/4	G 1/4	G 1/4	G 1/2	G 1/2	G 1/2
r	[mm]	-	-	-	4	4	4	5	6
s	[mm]	40	50	55	63	76	95	120	158
t	[mm]	22	30	35	40	45	65	80	108
SW	[mm]	8	13	17	-	-	-	-	-
Stroke ± 1	[mm]	8	8	10	10	12	12	12	12
l ± 1	[mm]	78	91	110	114	125	146	163	185
Weight	[kg]	0.8	1.2	1.8	2.6	3.8	6.7	12.8	24
Temp. up to 100 °C (NBR)	Part no.	1571 105	1573 105	1574 105	1575 105	1576 105	1577 105	1578 105	1579 105
Temp. up to 150 °C (FKM)	Part no.	1571 106	1573 106	1574 106	1575 106	1576 106	1577 106	1578 106	1579 106